



PREMIUM SERIES KITCHEN FAUCET

DESCRIPTION

- Metal Lever Handle
- 9-1/8" Reach, 7-3/8" High Spout
- Ceramic Disc Cartridge with Temperature Limit
- Stainless Steel Flex Connector Lines
- 2 or 4-Hole Installation
- Fits 8" Center
- 8" Deck Cover Plate or Decorative Escutcheon
- Optional Side Spray Assembly

FLOW

2.2GPM

STANDARDS

- ASME A112.18.1M
- ANSI A117.1
- ANSI / NSF 61, SECTION 9
- IAPMO LISTED (Pending)
- ADA COMPLIANT

PRODUCT NUMBERS

- #886000 With 8" Deck Cover Plate
- #886010 With 8" Deck Cover Plate & Side Spray Assembly
- #886100 With Decorative Escutcheon
- #886110 With Decorative Escutcheon & Side Spray Assembly

FINISHES

- BC PVD BRUSHED CHROME
- BN PVD BRUSHED NICKEL
- BP PVD BLACK PEARL
- CP CHROME
- PB PVD POLISHED BRASS
- PN PVD POLISHED NICKEL



W/ 8" DECK PLATE



W/ DECORATIVE



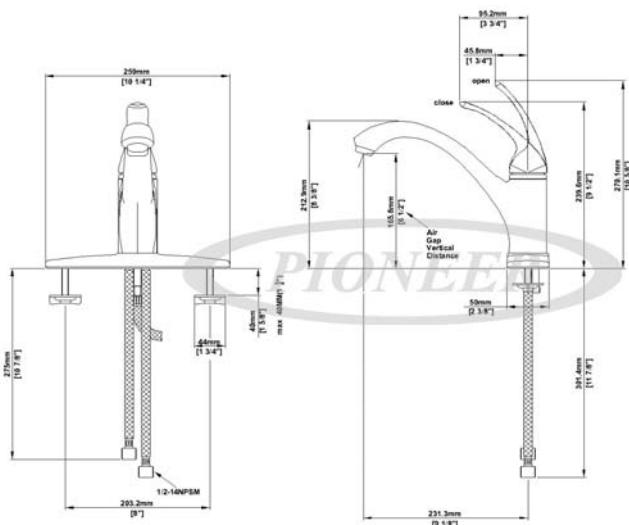
Model #: _____

Specific Features: _____

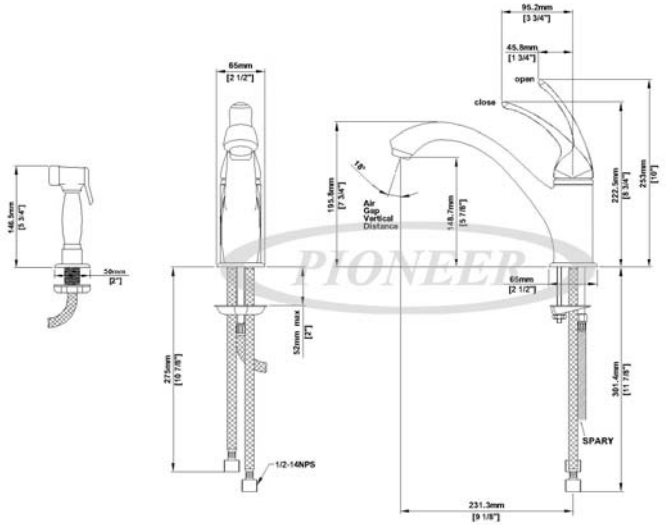
Project Name: _____

Submitted For: _____

Date: _____



WITH 8" DECK PLATE



WITH DECORATIVE ESCUTCHEON

