



QUALITY FAUCETS AND PLUMBING PRODUCTS

# SPECIFICATION SHEET

## BUILDER SERIES TWO HANDLE LAVATORY FAUCET

### DESCRIPTION

Metal Construction  
1/2" IPS Connections with Brass Supply nuts  
Brass Waterways  
4" Centers  
1/4 Turn Washerless Operation  
Acrylic Handles

### FLOW

Aerator limited to 2.0 gpm

### STANDARDS

ASME A112.18.1M  
ANSI A117.1  
ANSI / NSF 61, SECTION 9  
IAPMO LISTED

### PRODUCT NUMBERS

#447000 Brass Pop-Up Drain Supplied  
#447000B Brass Pop-Up Drain Supplied – Builder Tract Pack  
#447000B-A ABS Pop-Up Drain Supplied – Builder Tract Pack  
#447100 Less Pop-Up Drain

### FINISHES

CP Chrome  
PB PVD Polished Brass



# 447000 SHOWN



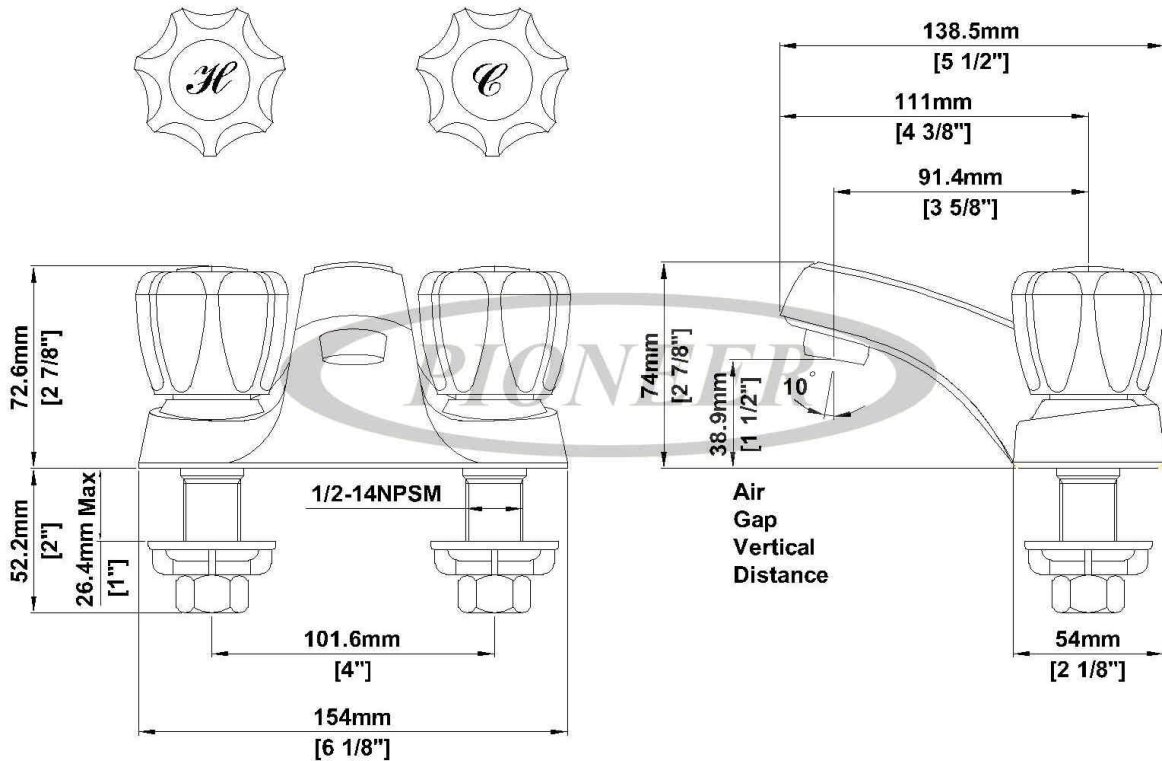
**Model #:** \_\_\_\_\_

**Specific Features:** \_\_\_\_\_

**Project Name:** \_\_\_\_\_

**Submitted For:** \_\_\_\_\_

**Date:** \_\_\_\_\_



DMSP447000/REV. 01 2004