

STAINLESS STEEL SINK



SPECIFICATION SHEET

DESCRIPTION

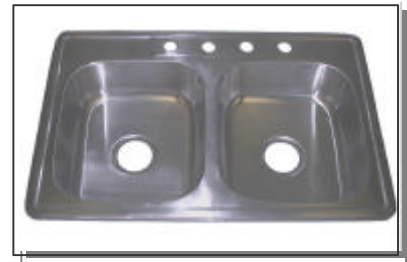
Self Rimming Stainless Steel Sink
Sound Deadening Pads
20 Gauge, type 304 Grade Stainless Steel
33" x 22" x 8" Deep

PRODUCT NUMBERS

#SKT503840 Four (4) 1-1/2" Diameter Hole – Bulk Tract Pack
One (1) Hole Cover Included

FINISHES

Satin Finish



#SKT503840 SHOWN

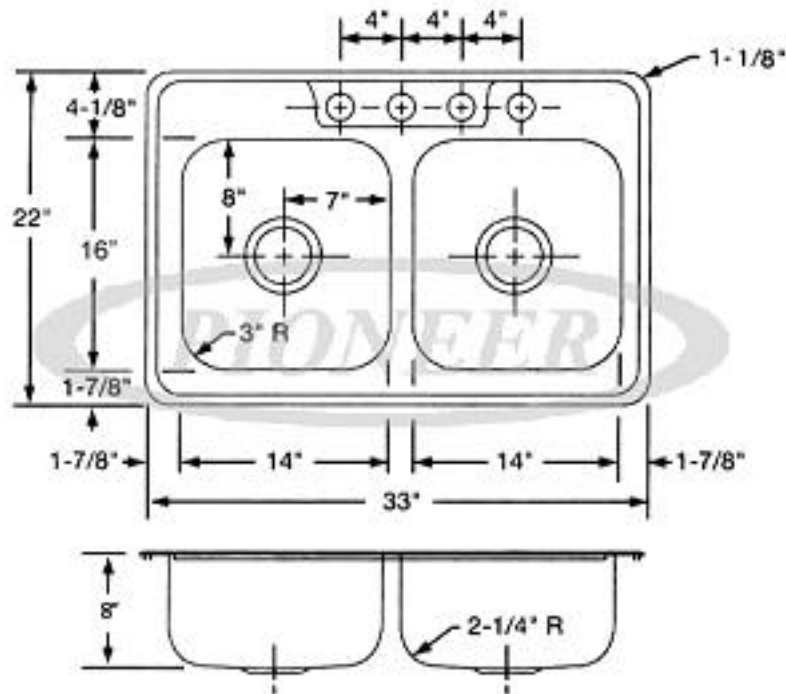
Model #: _____

Specific Features: _____

Project Name: _____

Submitted For: _____

Date: _____



DMSP503840/REV. 07 2005