

QUALITY FAUCETS AND PLUMBING PRODUCTS

SPECIFICATION SHEET

DESCRIPTION

- Solid Brass Valve
- Replaceable Scald Guard Cartridge & Parts
- Stainless Steel Pressure Balancing Spool Assembly
- Diverter Tub Spout
- Adjustable Showerhead
- Shower Arm and Flange
- 24" Brass Slide Bar with Brass Mounts
- 60" Stainless Steel Flex Hose
- Adjustable Handheld Showerhead
- Drop Ell with Vacuum Breaker
- Five Setting Showerhead
- All Brass Showerhead for BP and TB Finish
- Two Way Brass Diverter Valve

BUILDER SERIES PRESSURE BALANCE TUB AND SHOWER SET WITH HANDHELD SHOWER SET



- # 990612 SHOWN
- # 997010 SHOWN
- # 997000 SHOWN



FLOW

Showerhead is limited to 2.5 gpm

STANDARDS

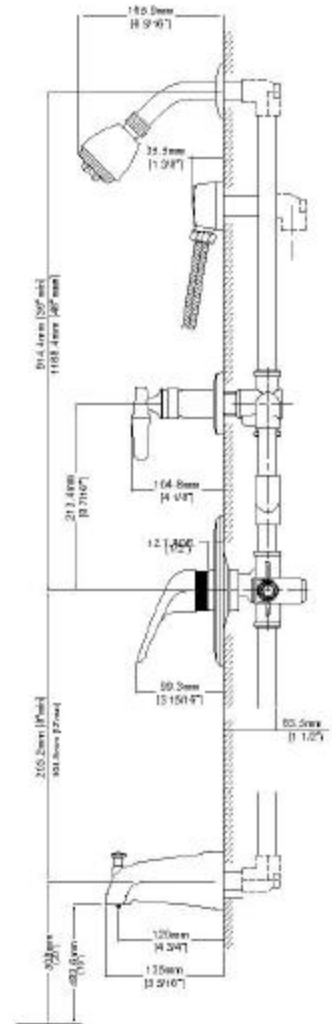
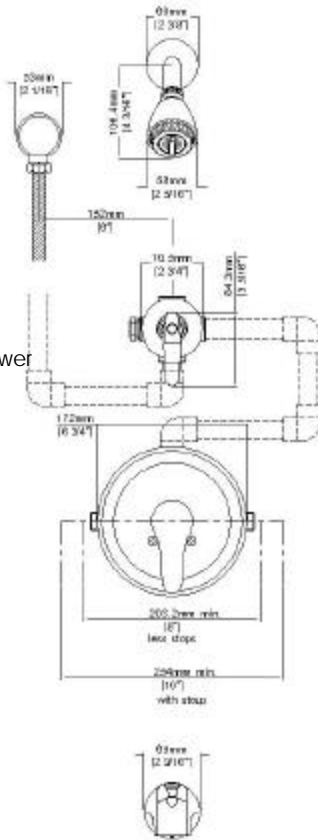
- ASME A112.18.1M
- ANSI A117.1
- ANSI / NSF 61, SECTION 9
- IAPMO LISTED

PRODUCT NUMBERS

- #990612 Shower and Tub Set
- #997010 Diverter Valve
- #997000 Handheld Shower
- #997100 Brass Handheld Shower

FINISHES

- BN PVD Brushed Nickel
- BP PVD Black Pearl
- CP Chrome
- PB PVD Polished Brass
- PN PVD Polished Nickel
- TB PVD Tuscan Bronze



Model #: \_\_\_\_\_

Specific Features: \_\_\_\_\_

Project Name: \_\_\_\_\_

Submitted For: \_\_\_\_\_

Date: \_\_\_\_\_

