

QUALITY FAUCETS AND PLUMBING PRODUCTS

SPECIFICATION SHEET

DESCRIPTION

Standard Extended Tub Spout
Brass Body Construction
Combo 1/2" IPS/Slip-on Inlet 7" Long

Extended Tub Spout



240208 SHOWN

STANDARDS

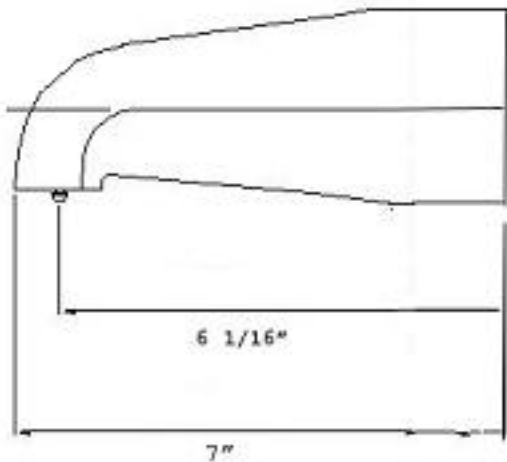
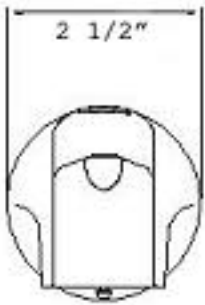
ASME A112.18.1M
ANSI A117.1

PRODUCT NUMBERS

#240203 Tub Spout - 1/2" Slip Inlet
#240208 Tub Spout - Combo 1/2" IPS & Slip-on Inlet

FINISHES

CP Chrome
BN PVD Brushed Nickel Finish



Model #: _____
Specific Features: _____
Project Name: _____
Submitted For: _____
Date: _____



DMSP240208/REV. 01 2007