



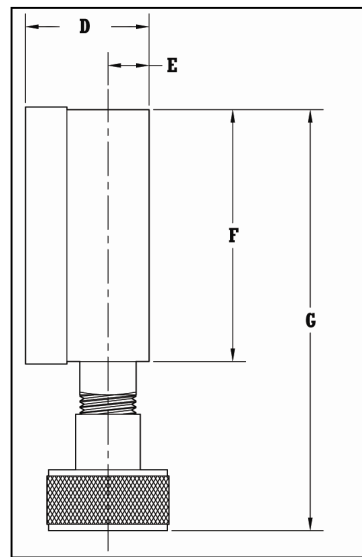
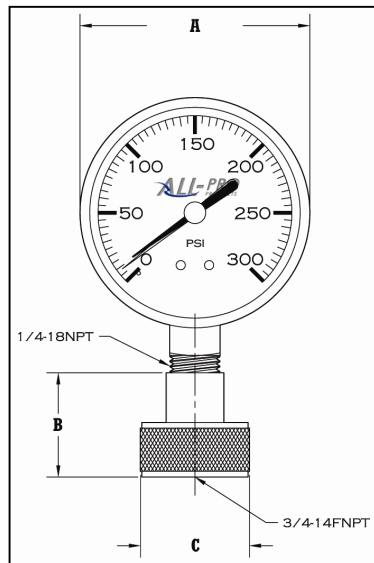
Water Pressure Gauge

**SPECIFICATION SHEET**



- Quality bourdon tube gauge
- 3/4" female garden hose connector
- 0-300 lb. range

Part No.	Description
G-300	300 PSI Water Pressure Gauge with Hose Connection
G-301	300 PSI Water Pressure Gauge W/Adapter and Indicator



A	B	C	D	E	F	G
2.49"	1.13"	1.18"	1.20"	0.40"	2.44"	4.08"



Alliance Manufacturer Representatives  
 1812 Durham  
 P.O. Box 701085  
 Houston, Texas 77270  
 (800) 324-9400 / (281) 579-9400  
 Fax: (800) 483-6695 / (281) 579-9849  
 www.alliancereps.com

Alliance Manufacturer Representatives, inc. reserves the right to change materials or modify the Design or specifications of its products without notification as part of the company's continuing Product improvement program.

© Copyright Alliance Mfg. Representatives, Inc. 2007. All Rights Reserved. (10-07)

Job Name	Date
Part Number	Qty
<b>Contractor</b>	
<b>Architect</b>	