



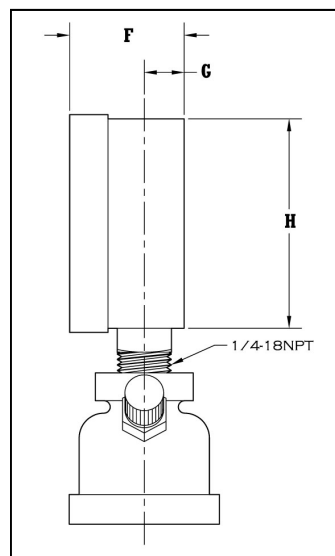
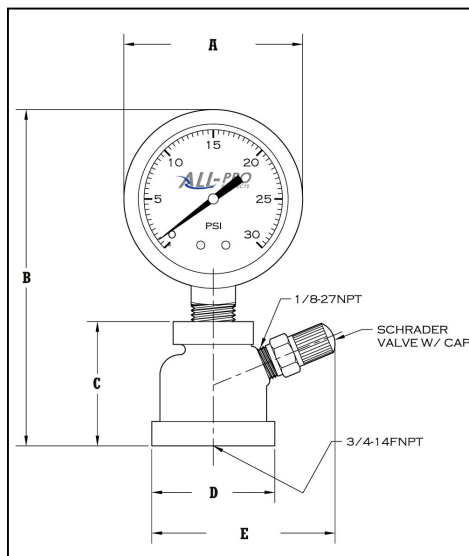
Bell Housing Gas Gauge Assembly

SPECIFICATION SHEET



- Quality bourdon tube gauge
- 2" steel case w/shatter proof lens
- Schrader inlet valve supplied
- 3/4" FIP black malleable bell housing

Part No.	Description
30005	2" Face, 0-5 PSI, Bell Housing Gas Gauge Assembly
30030	2" Face, 0-30 PSI, Bell Housing Gas Gauge Assembly
30060	2" Face, 0-60 PSI, Bell Housing Gas Gauge Assembly
30100	2" Face, 0-100 PSI, Bell Housing Gas Gauge Assembly



A	B	C	D	E	F	G	H
2.20"	4.13"	1.53"	1.51"	2.25"	1.15"	0.40"	2.11"



Alliance Manufacturer Representatives
 1812 Durham
 P.O. Box 701085
 Houston, Texas 77270
 (800) 324-9400 / (281) 579-9400
 Fax: (800) 483-6695 / (281) 579-9849
 www.alliancereps.com

Job Name	Date
Part Number	Qty
Contractor	
Architect	

Alliance Manufacturer Representatives, inc. reserves the right to change materials or modify the Design or specifications of its products without notification as part of the company's continuing Product improvement program.

© Copyright Alliance Mfg. Representatives, Inc. 2007. All Rights Reserved. (10-07)