

QUALITY FAUCETS AND PLUMBING PRODUCTS

# SPECIFICATION SHEET

## BUILDER SERIES SINGLE HANDLE KITCHEN FAUCET

### DESCRIPTION

Metal Construction  
 1/2" IPS Connections with Brass Supply nuts  
 Copper Tubing Waterways  
 6" - 8" Centers  
 Stainless Steel Ball Operation  
 Metal Lever Handle  
 Brass Housing

### FLOW

Aerator is limited to 2.0 gpm

### STANDARDS

ASME A112.18.1M  
 ANSI A117.1  
 ANSI / NSF 61, SECTION 9  
 IAPMO LISTED  
 ADA Compliant

### PRODUCT NUMBERS

#882000  
 #882000B Builder Tract Pack  
 #882000BN

### FINISHES

CP Chrome  
 BN PVD Brushed Nickel



# 882000 SHOWN

\* ADA

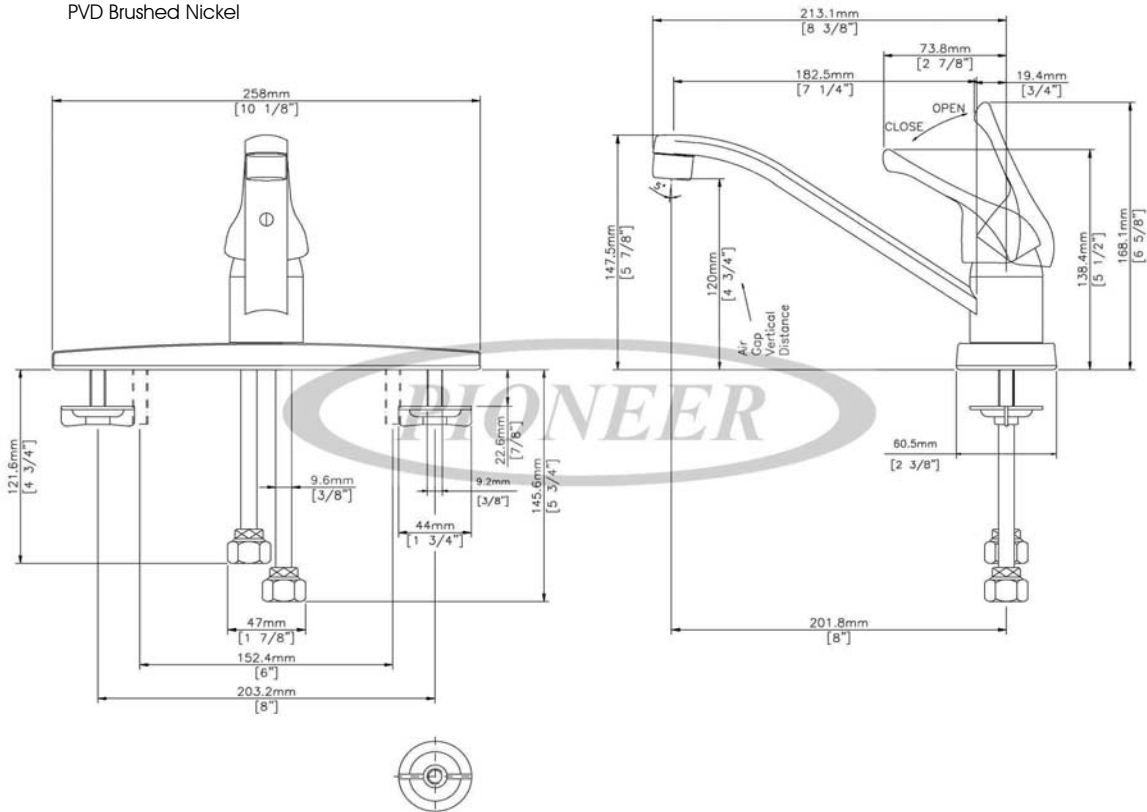
Model #: \_\_\_\_\_

Specific Features: \_\_\_\_\_

Project Name: \_\_\_\_\_

Submitted For: \_\_\_\_\_

Date: \_\_\_\_\_



DMSF882000/REV. 03 2004

Commerce, CA 90040  
 www.pioneerind.com  
 Pioneer Industries, Inc. © 2004